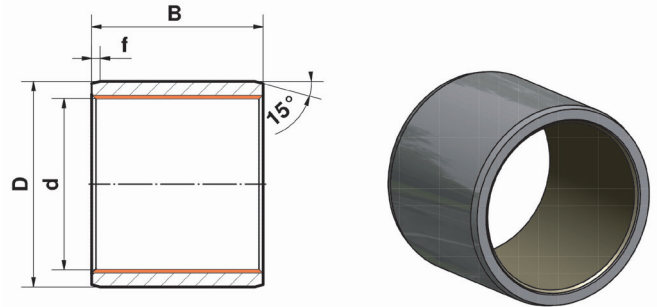


Cylindrical sliding bushings

NEW
available in two versions
with high performance liner,
WEAR SOLID or **MEDIA SOLID**

Cylindrical sliding bushings according to DIN ISO 4379¹ are standardised machine elements ready for installation. They consist of a supporting body with cylindrical outer and inner surfaces to support the sliding layer.

They can absorb higher forces than conventional steel, bronze or plastic slide bearings and are particularly suitable for pivoting movements and high, unidirectional and variable loads. Used as axial guide bearings, they are also superior to the already mentioned slide bearings. We differentiate between two high performance liner: **WEAR SOLID** is used for high static and dynamic loads and our media-resistant **MEDIA SOLID**.



Nominal diameter (d)	Code	Weight g	D (p7)	B	f	WEAR SOLID	MEDIA SOLID
						Static / Dynamic Load rating kN	Static / Dynamic Load rating kN
30	GB 30 x 36 x 30 ZW	63	36	30	1,5	270	193
35	GB 35 x 41 x 30 ZW	72	41	30	1,5	315	225
40	GB 40 x 48 x 40 ZW	1660	48	40	2,0	480	349
45	GB 45 x 53 x 40 ZW	170	53	40	2,0	540	363
50	GB 50 x 58 x 50 ZW	240	58	50	2,0	750	552
60	GB 60 x 70 x 60 ZW	440	70	60	2,0	1.080	800
70	GB 70 x 80 x 70 ZW	590	80	70	3,0	1.470	1.094
80	GB 80 x 90 x 80 ZW	750	90	80	3,0	1.920	1.435
90	GB 90 x 105 x 80 ZW	1.360	105	80	3,0	2.160	1.614
100	GB 100 x 115 x 100 ZW	1.900	115	100	3,0	3.000	2.254
110	GB 110 x 125 x 100 ZW	2.000	125	100	4,0	3.300	2.479
120	GB 120 x 135 x 120 ZW	2.600	135	120	4,0	4.320	3.256
140	GB 140 x 155 x 150 ZW	3.900	155	150	4,0	6.300	4.765
160	GB 160 x 180 x 150 ZW	6.000	180	150	4,0	7.200	5.446
180	GB 180 x 200 x 180 ZW	8.000	200	180	5,0	9.720	7.369
200	GB 200 x 220 x 180 ZW	8.800	220	180	5,0	10.820	8.188

Individual dimensions available on request.
Stainless version available on request.

Materials

Bushing: Non-alloyed construction steel St52-3 with glued high performance liner **FLUROGLIDE® (WEAR SOLID or MEDIA SOLID)**. Bushings sealed on both sides are available upon request.

Precision

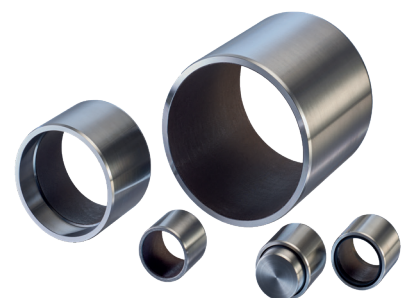
The parallel partner should have surface hardness HRC ≥ 55 and roughness RZ ≤ 1.

The main dimensions are tolerated as follows according to DIN ISO 286-2:

Bore diameter d = H8, outer diameter D = p7, width B = h12.

The shape and position tolerances are within the specifications listed above.

If the sliding bushings GB .. x .. x .. ZW are installed in a housing bore H7 and the shaft / the bolt is manufactured in f7 an operating clearance is reached.



¹ Refers to the dimensions d, D and B

Spherical plain bearing with new sliding coating FLUROGLIDE®-MEDIA SOLID

The new generation of bearings is particularly well suited for application areas in oily environments. The properties of the spherical plain bearings are not impaired by the effects of grease and oil either.

Running tests have shown that the expected life of 5 million cycles has been considerably exceeded. Both test series, whether dry running or lubricated with grease, achieved a life of over 6 million cycles. The friction properties are in similar ranges for both test series as well.

Working life

